

SMART LAMP LED TABLE LAMP

MANUAL GUIDE

PLEASE READ ALL THE SAFETY INSTRUCTIONS THOUGHTFULLY BEFORE THE DEVICE OPERATION.
KEEP THIS MANUAL GUIDE SAFE FOR FUTURE REFERENCE.

PRODUCT INTRODUCTION

The SMART LAMP LED TABLE LAMP is used for the work area proper lightning. The SMART LAMP LED TABLE LAMP is a clever aid with its Motion Sensor ON/OFF switcher, adjustable light body and with its variable Warm ~ Cool (daylight) LED luminescence function.

SPECIFICATION:

Input: AC100-240V, 50/60Hz
Output: DC12V, 1.12A
Power (W): 10W±10%
Measure (mm): 1155*60mm
Weight (g): 550g
Light source: LED bulb

ACCESSORIES:

- 1pcs Holding Clamp
- 1pcs AC Adapter

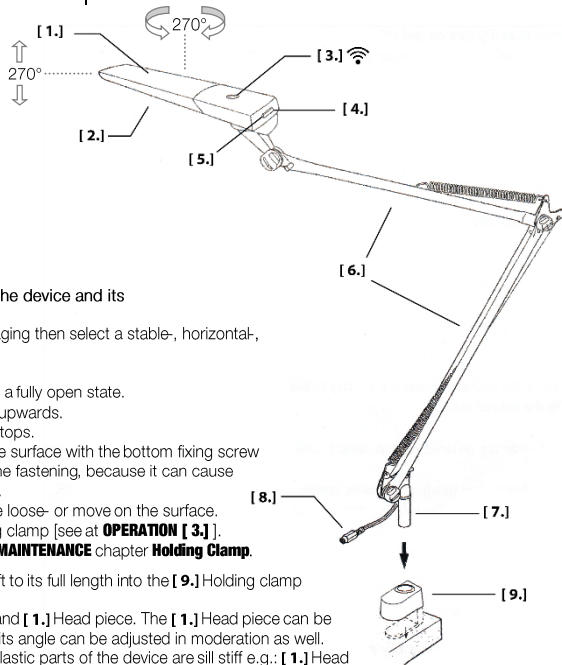
SMART LAMP LED TABLE LAMP PARTS:

- [1.] Head piece (joint type)
- [2.] LED light panel
- [3.] Motion Sensor ON/OFF „I/O” Switcher
- [4.] Light Color- and Luminance Control Switcher (Warm: 3 / Cool: 3)
- [5.] Cool Light (daylight) Luminance Control (4 step)
- [6.] Arms (adjustable)
- [7.] Holding shaft
- [8.] Adapter socket
- [9.] Holding clamp

OPERATION

ATTENTION! Before the device operation, always check the device and its accessories just state.

- [1.] Unpack the device and its accessories from the packaging then select a stable-, horizontal-, even surfaced place for the device use.
- [2.] Secure the [9.] Holding clamp to the selected surface:
 - Twist the [9.] Holding clamp bottom fixing screw to a fully open state.
 - The hole of the [9.] Holding clamp has to be faced upwards.
 - Place the [9.] Holding clamp to the surface until it stops.
 - Hold still the [9.] Holding clamp, than fasten it to the surface with the bottom fixing screw till it stops. **Attention!** Pay attention not to overdo the fastening, because it can cause damage to the [9.] Holding clamp or to the surface.
 - The correctly secured [9.] Holding clamp cannot be loose- or move on the surface.
 - Now the device can be applied into the [9.] Holding clamp [see at **OPERATION [3.]**].
 - For the [9.] Holding clamp removal, see **CLEANING/MAINTENANCE** chapter **Holding Clamp**.
- [3.] Hold steady the device than place its [7.] Holding shaft to its full length into the [9.] Holding clamp hole till it stops.
- [4.] Adjust the device desired position with the [6.] Arms and [1.] Head piece. The [1.] Head piece can be turned to up- and down and to sideways till 270° and its angle can be adjusted in moderation as well. **Notice:** during in the first install it may occur that the plastic parts of the device are sill stiff e.g.: [1.] Head piece or the plastic screws on the [6.] Arms. Pay attention not to apply too much force or tension to them.
- [5.] Connect the device AC adapter to the power supply than to the device [8.] Adapter socket. **Notice:** in case of "lock" type adapter connection, the device [8.] Adapter socket can be secured to the AC adapter. This way the connected parts drifting can be moderated. In this case connect the AC adapter to the [8.] Adapter socket as the following: place the AC adapter end to the [8.] Adapter socket opening. At the end of the AC adapter there are two nibs standing out. At the sides of the [8.] Adapter socket opening there are two holes. Pay attention that the nibs of the AC adapter and the holes of the [8.] Adapter socket to be stand in line on top of each other. Connect the two ends till it stops, than turn the AC adapter end to the [8.] Adapter socket smaller hole. With this move now the two ends are secured together. The separation of the AC adapter and the [8.] Adapter socket are take place in the reverse order.
- [6.] For the device operation pass the hand above the device [3.] Motion Sensor ON/OFF „I/O” switcher in a distance of 5-10cm (2-4in). **NOTICE:** The device ON/OFF switch is runs with motion not with touch.
- [7.] Adjust the desired Light color- and luminance with the device [4.] and [5.] switchers press.
- [8.] At the end of the device use pass the hand above the device [3.] Motion Sensor ON/OFF „I/O” switcher in a distance of 5-10cm (2-4in), than remove the AC adapter from the [8.] Adapter socket [see at **OPERATION [5.]**] and from the power supply as well.



ICON REVIEW:



Variable Light Color Temperature (K)
Usage: Warm ~ Cool (daylight)



Motion sensor ON/OFF „I/O” switcher



6 scale Luminescence control
(Cool: 3 / Warm: 3)



Adjustable Holding clamp securing



LED Light source



Light „Dowel” weight



AC Adapter

CLEANING/MAINTENANCE

ATTENTION! DO NOT disassemble the device! The device does not require inner cleaning/maintenance. Before the cleaning/maintenance always make sure the device annealed state [turn off the device, than remove the AC adapter from the device and form the outlet as well]. Always proceed with the cleaning/maintenance after the device full cool down! It is recommended to wear gloves during in the procedure.

For the device and its accessories cleaning/maintenance use: Compressed Air, Brush and a Non-synthetic soft, dry cloth.

Device: Remove the device from the [9.] Holding Clamp. Hold the device stable, than pull out the device [7.] Holding shaft from the [9.] Holding Clamp with vertical linear movement. After the device is removed, place it to an even surfaced stable place [it is recommended to put a soft, dry cloth under the device]. Wipe out the device external panel with a dry, soft cloth than clean its hard to reach parts as well [switcher, joints e.g.: [1.] – [9.]] with brush and compressed air. Wipe out the device external panel again with the dry, soft cloth than place back the device to its original position [see at **Operation [3.]**]. For the last step check the device correct operation.

Holding Clamp: Remove the device from the [9.] Holding clamp [see at **CLEANING/MAINTENANCE Device** chapter], than the [9.] Holding clamp from the surface. Hold still the [9.] Holding clamp, than twist its bottom fixing screw to a fully open state than remove the [9.] Holding clamp from the surface with care. Wipe out the [9.] Holding clamp external panel with a dry, soft cloth than clean it's hard to reach parts as well with brush and compressed air. Wipe out the external panel again with the dry, soft cloth than place back the [9.] Holding clamp to the surface [see at **Operation [2.]**]. For the last step place back the device to its original position [see at **Operation [3.]**].

Notice! For tenacious contaminations, the device- and the [9.] Holding Clamp external panel can be cleaned with lightly moist soft cloth, but pay attention that the device cannot have liquid inside in it or in its switcher, joints or to become contacted with the device AC Adapter or its [8.] Adapter socket. After the moist cleaning, do not put the device under it charge at least 1-2min and always wait for its full dry. Do not use solvent detergents!

In case of average frequency use clean the device- and its accessories at least once a week according to the described above.

STORAGE

Store the device and its accessories always in a dry place, far from radiant heat in a clean state.
Wind the AC Adapter power cord loosely together, pay attention not to break it.

Before the device operation always check the device and its accessories just state.

SAFETY CAUTIONS

- [1.] Only for indoor use, between 0~40°C [32~104°F]!
- [2.] Before the device operation always make sure the device and its accessories just state.
- [3.] The device cannot be left behind without supervision when it is turned on.
- [4.] Use/store the device only in stable, even surfaced places. Do not put the device into places where it can be knocked down or may fall off.
- [5.] The device or its accessories cannot become contact with liquids.
- [6.] Do not ever touch the device- or its accessories with wet/moist hands.
- [7.] Do not ever operate the device if any parts of it are damaged or had any kind of accident or fell into water! Take the device into the place of purchase for repair and seek for professional help.
- [8.] Only authorized personals can repair the device- or its accessories.
- [9.] Use/store the device in a dry place far from radiant heat, in a clean environment. Avoid moist/wet and contaminated places.
- [10.] Do not look directly into the device light source during in operation.
- [11.] The device can have electric charges in it even if it is turned off.
- [12.] After the device use is finished, always anneal it [turn off the device than remove the AC adapter from the device and from the outlet as well].

For more information about the device, visit our website: <http://www.crystalnails.com> or look for the place of purchase.

NOTICE!

If any case of malfunction was found or any parts of the device has to be replaced/repared, please look for the place of purchase.

Importer: Elite Cosmetix LTD.; Jozsef Krt. 44., H-1085 Budapest, Hungary

[EN] SMART LAMP LED TABLE LAMP [HU] SMART LED ASZTALI LÁMPA [RO] LAMPĂ DE MASĂ SMART LED [DE] SMART LED TISCHLAMPE
[FR] LAMPE DE TABLE SMART LED [IT] LAMPADA DA TAVOLO SMART LED [ES] LAMPARA DE MESA SMART LED